



Electromagnetic Door Holders

Reliable Door Control for Emergency Release



MEC electromagnetic door holders are designed for use with self-closing fire and smoke barrier doors. They usually use independently or with any fire or smoke detector system. Typical installations include hospitals, schools, and public buildings. Electromagnetic door holders can also be operated by manual release for safety and convenience.

Standard Features

- Standard voltage AC or DC
- Typical high holding force up to 80 lbs.
- No residual magnetism
- Swivel/Self-adjustable armature plate
- Flush/Floor/Surface mounted
- Extension rods for increased operational alignment

Patents, Approvals, and Listings

- UL listed: R21907
- NF S 61-937 compliant (GD840S, GD850F, GD860S)
- BS EN 1155 (GD640S, GD840S, GD850F, GD860S)

Notes:

Classification Code : 3, 5, 3, 1, 1, 3.

Standard number: BS EN 1155.

The Electromagnetic Door Holder should not be positioned at such a point where the door can be held open at angles less than 65°.

* No Maintenance Required.

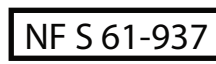
* Power Size (Size 3).

* Fixing Position

(Tested at 1,000 mm from Pivot / Hinge).



BS EN1155





ANSI Standard Electromagnetic Door Holders

Models	Voltage	Holding Force (lbs.)	Manual Release Button	Mount	Finish/ Color	LED	Bond Sensor Output	Armature Plate Type	
*GD900F	24 VAC/DC *(12 VAC/DC)	80	●	Floor	Black	—	—	Square	Swivel
*GD900WS	24 VAC/DC *(12 VAC/DC)	80	●	Surface	Stainless steel	—	—	Square	Swivel
*GD900W	24 VAC/DC *(12 VAC/DC)	80	●	Flush	Stainless steel	—	—	Square	Swivel
GD950	12~24VDC	80	—	Flush	Silver/Black	●	●	Round	Swivel or Self-adjustable
GD950S	12~24VDC	80	—	Surface	Silver/Black	●	●	Round	Swivel or Self-adjustable
GD970	12/24VDC 110VAC/220VAC	55	—	Flush	Silver/Black	—	—	Round	Swivel
GD970S	12/24VDC 110VAC/220VAC	55	—	Surface	Silver/Black	—	—	Round	Swivel
GD990	12/24VDC 110VAC/220VAC	55	—	Flush	Stainless steel	—	—	Round	Swivel
GD990S	12/24VDC 110VAC/220VAC	55	—	Surface	Stainless steel	—	—	Round	Swivel

European Standard Electromagnetic Door Holders

Models	Voltage	Holding Force (lbs.)	Manual Release Button	Mount	Finish/ Color	LED	Armature Plate Type	
*GD640S	24 VDC *(12 VDC)	70	●	Flush	Stainless steel	●	Square	Swivel
*GD840S	24 VDC *(12 VDC)	80	●	Surface	Black	●	Round	Swivel or Self-adjustable
*GD850F	24 VDC *(12 VDC)	80	●	Floor	Black	●	Round	Swivel or Self-adjustable
*GD860S	24 VDC *(12 VDC)	80	●	Surface	White	●	Round	Swivel or Self-adjustable

Weatherproof Electromagnetic Door Holder

Models	Voltage	Holding Force (lbs.)	Manual Release Button	Mount	Finish/ Color	Bond Sensor Output	Armature Plate Type	
*RM90	24VDC *(12VDC) (12~24VDC)	550	—	Surface	Silver/Black	●	Round	Fixed

*Special order for 12VDC (12VAC/DC) operation

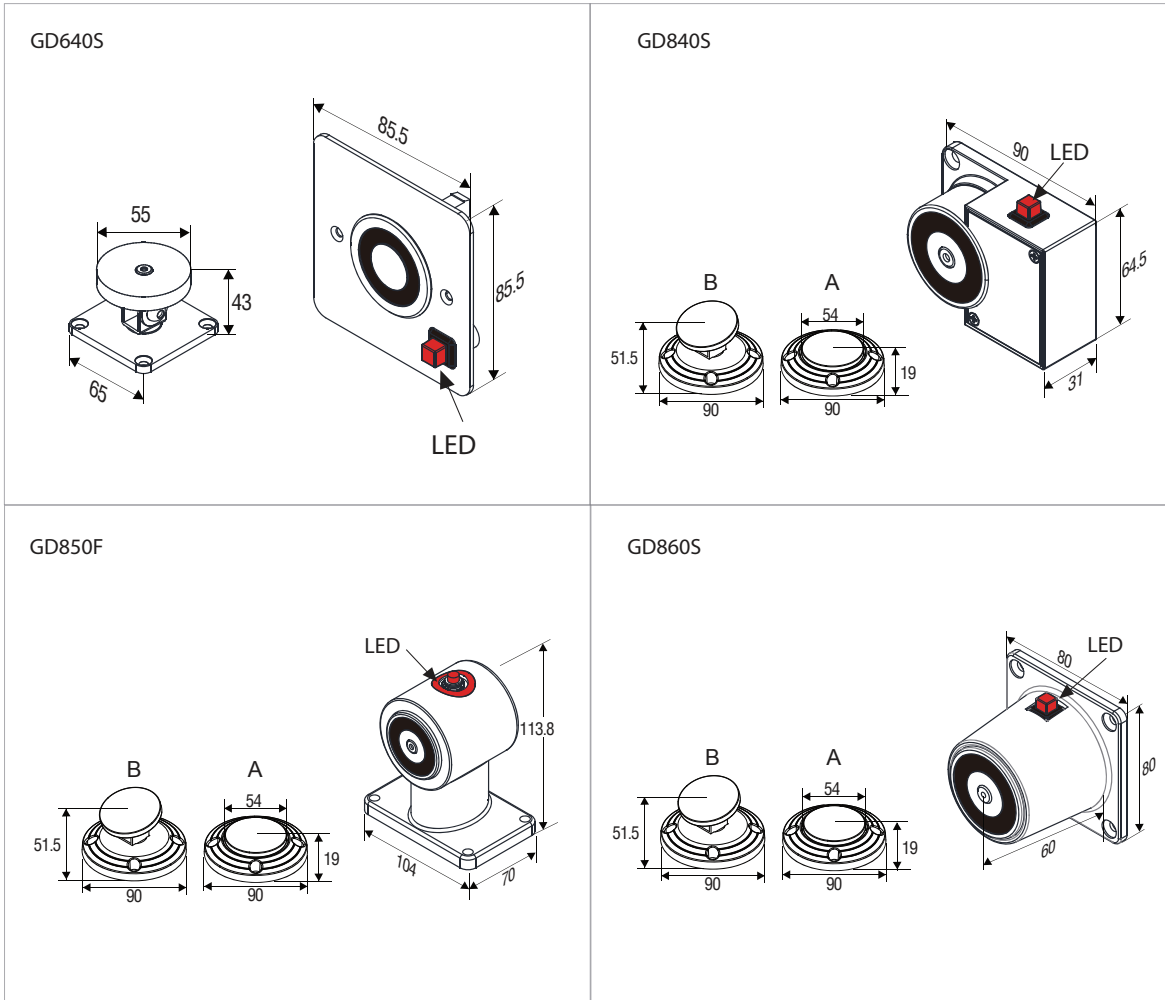


ANSI Standard Electromagnetic Door Holders Dimensions

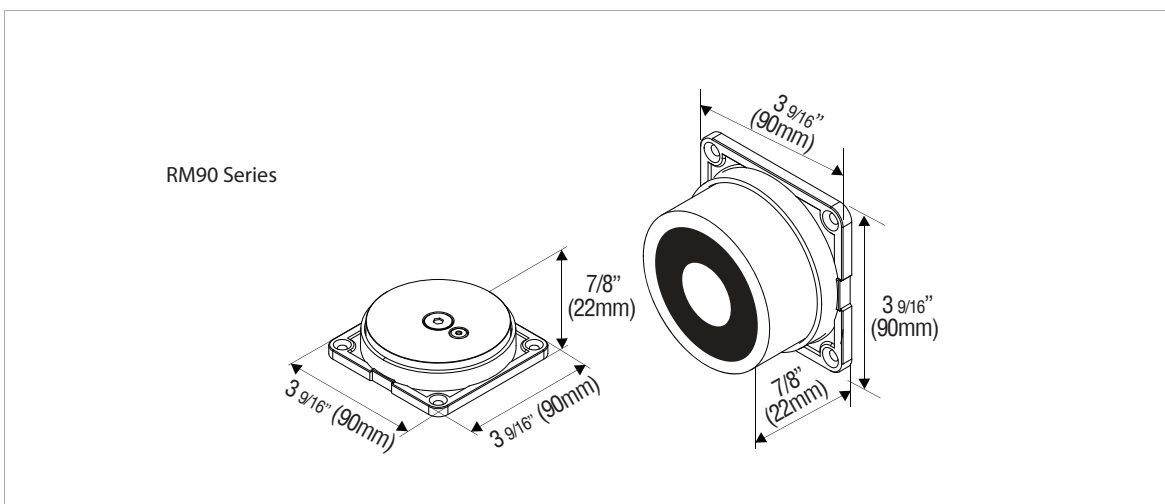
<p>GD900F</p> <p>Manual release button</p>	<p>GD900WS</p>	<p>GD900W</p>
<p>GD950</p> <p>LED</p>	<p>GD950S</p> <p>LED</p>	<p>GD970</p>
<p>GD970S</p>	<p>GD990</p>	<p>GD990S</p>



European Standard Electromagnetic Door Holders Dimensions



Weatherproof Electromagnetic Door Holder Dimensions



Notes:

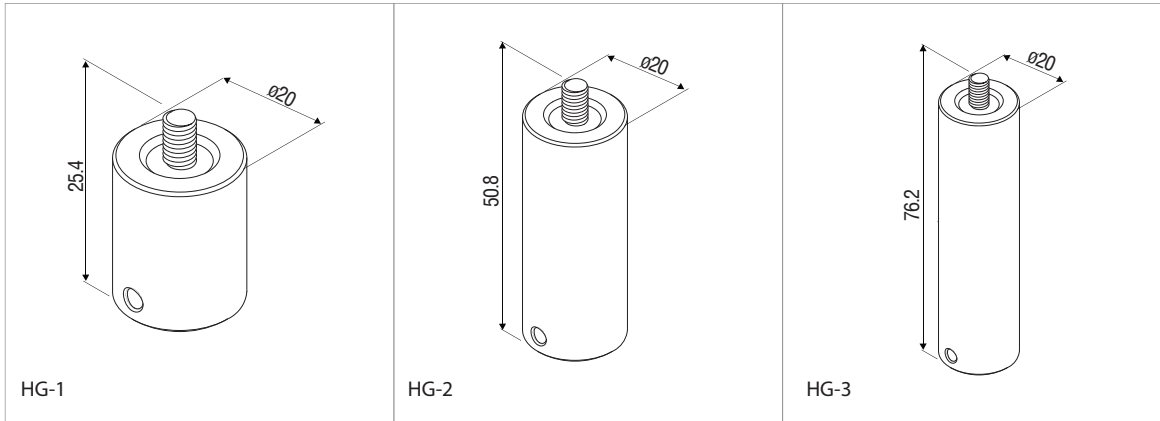
A: Self-adjustable armature plate

B: Swivel armature plate

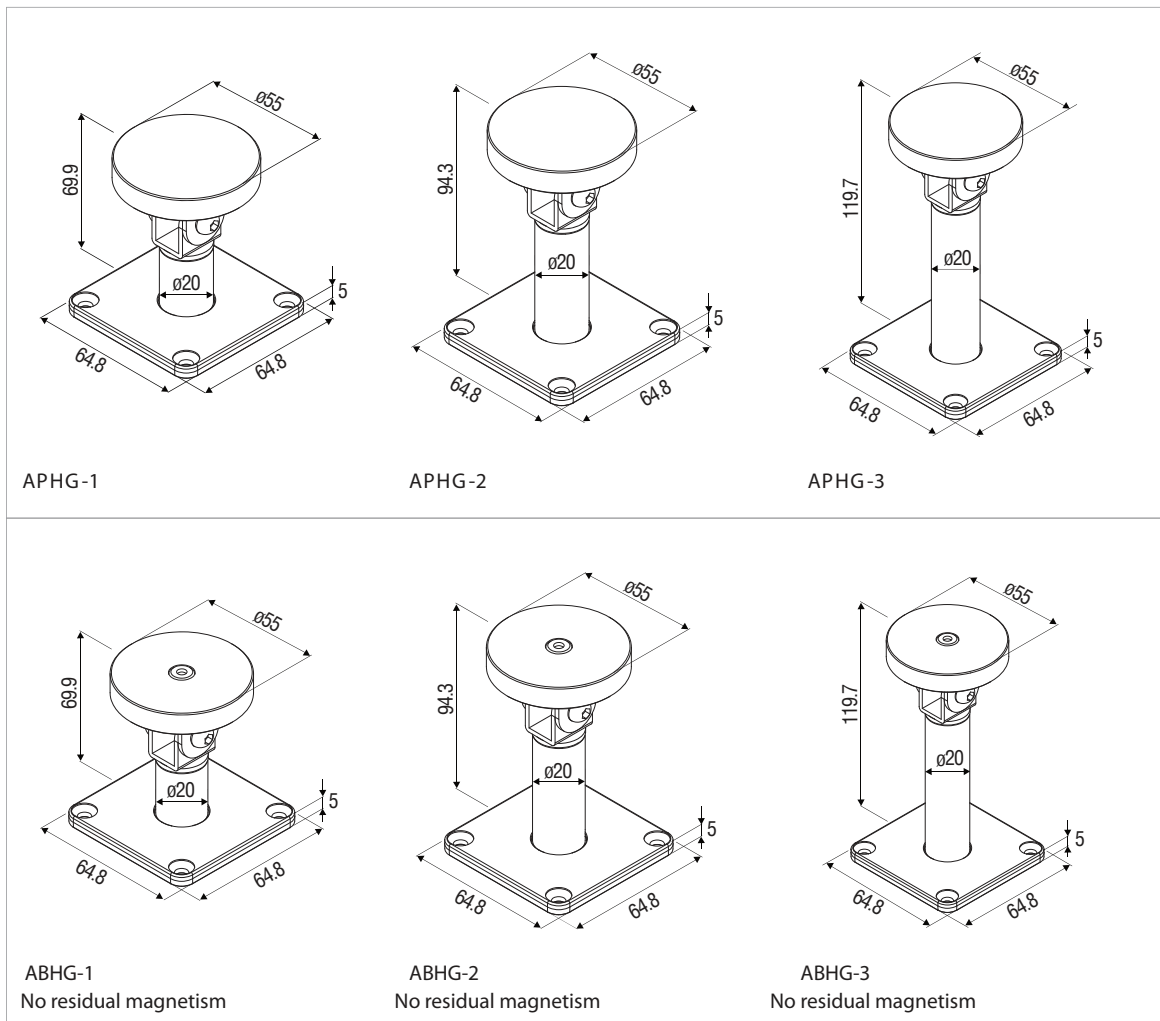


Extension Rods for Square Type Armature Plates

Extension rod(s) may be required to ensure proper installation by providing increased reach for the Armature Plate.



Extension Rod Applications (Square Type Armature Plate Only)



All dimensions in mm